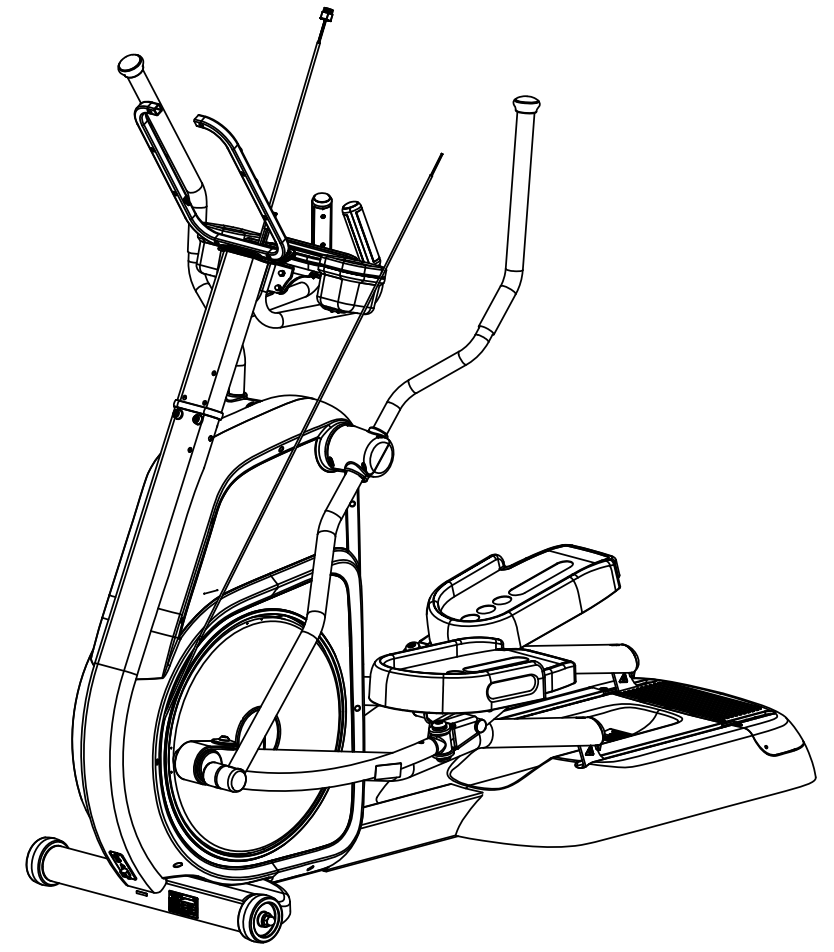


- NOTES:
 1. REFER TO UNIVERSAL BASE SKU: 9-6140-XXXXP0 FOR COMPLETE BOM
 2. USE THE FOLLOWING INFORMATION FOR SERIAL AND PACKAGE LABEL
 A. SKU: 9-6140-WUNBPO
 B. MODEL: BASE, UNIV, 9-6140, 8-CT, WHITE

ITEM NO.	PART NUMBER	-XX	DESCRIPTION	QTY.
1	740-7714-XX	-72	ASSY, FRAME, BASE, E-CT	1
1.1	740-9309-XX	-38	ASSY, ARM, CRANK, 8-CT	2
1.1.1	740-7730-XX	-38	COVER, CRANK, PLASTIC, E-CT	1
1.2	740-7687-XX	-25	WELDMENT, FRAME, BASE, E-CT	1
1.3	740-7751-XX	-25	ASSY, ARM, PIVOT, E-CT	2
1.3.1	740-7745-XX	-25	WELDMENT, PIVOT ARM, E-CT	1
1.4	740-7801-XX	-25	ASSY, BEAM, LEG, E-CT	2
1.4.1	740-7794-XX	-25	WELDMENT, PIVOT, BEAM, LEG, E-CT	1
1.4.2	740-7744-XX	-25	WELDMENT, BEAM, LEG, E-CT	1
1.4.3	740-7826-XX	-25	CAP, END, DOME, BEAM, LEG, E-CT	2
1.5	740-9294-XX	-25	Assy, Leg/Pedal, Right, 8-CT, Gen 3	1
1.5.1	740-9290-XX	-25	Weldment, Leg/Pedal, Right, 8-CT G3	1
1.5.2	740-9296-XX	-25	ARM, LEG/PEDAL, RIGHT, 8-CT G3	1
1.5.3	740-9322-XX	-25	WASHER, SPHERICAL, M8, TOP	2
1.5.4	740-9323-XX	-25	WASHER, SPHERICAL, M8, BOTTOM	2
1.6	740-9293-XX	-25	Assy, Leg/Pedal, Left, 8-CT, Gen 3	1
1.6.1	740-9286-XX	-25	Weldment, Leg/Pedal, Left, 8-CT G3	1
1.6.2	740-9295-XX	-25	ARM, LEG/PEDAL, LEFT, 8-CT G3	1
1.6.3	740-9322-XX	-25	WASHER, SPHERICAL, M8, TOP	2
1.6.4	740-9323-XX	-25	WASHER, SPHERICAL, M8, BOTTOM	2
1.7	740-7850-XX	-38	CAP, PLUG, 38mm OD	2
1.8	740-7843-XX	-38	COVER, FOOT PROTECT, LEFT	1
1.9	740-7844-XX	-38	COVER, FOOT PROTECT, RIGHT	1
1.10	740-7719-XX	-38	ASSY, STEP, REAR, E-CT	1
1.10.1	740-7715-XX	-38	COVER, STEP, REAR, PLASTIC, E-CT	1
1.11	740-7845-XX	-38	SHROUD, COVER, CENTER, E-CT	1
2	721-1487-XX	-25	ASSY, NECK, CT	1
2.1	721-1486-XX	-25	WELDMENT, NECK DISP, CT	1
3	701-0020-XX	-20	ASSY, CENTER CONSOLE, BIKES & CT	1
3.1	020-7432-XX	-27	BRACKET, PHONE HOLDER, BIKES & CT	1
3.2	020-7433-XX	-13	PLASTIC, PHONE, HOLDER	1
3.3	701-0021-XX	-20	ASSY, CUP HOLDER	2
3.3.1	020-7430-XX	-27	BRACKET, CUP HOLDER	1
3.3.2	020-7431-XX	-13	PLASTIC, CUP HOLDER	1
4	740-7920-XX	-25	ASSY, HANDLEBAR, RIGHT, E-CT	1
4.1	740-7822-XX	-25	WELDMENT, BAR, HANDLE, RIGHT, E-CT	1
5	740-7919-XX	-25	ASSY, HANDLEBAR, LEFT, E-CT	1
5.1	740-7824-XX	-25	WELDMENT, BAR, HANDLE, LEFT, E-CT	1
6	740-7839-XX	-38	SHROUD, FRONT, LEFT, E-CT	1
7	740-7836-XX	-38	SHROUD, FRONT, RIGHT, E-CT	1
8	721-1428-XX	-27	TRIM RING, NECK, VERSA	1

REVISION HISTORY				
REV	DATE	DESCRIPTION	ECO	BY
A	---	---	---	---
B	6/15/2016	NEW DRAWING GENERATED TO SHOW UNIVERSAL -XX COLOR, WHITE	15411	KD
C	6/15/2017	ITEM NO. CHANGED: 1.1 IS 740-9309-XX, WAS 740-7729-XX; 1.5 IS 740-9294-XX, WAS 740-8723-XX; 1.5.1 IS 740-9290-XX, WAS 740-7984-XX; 1.5.2 IS 740-9296-XX, WAS 740-740-7977-XX; 1.6 IS 740-9293-XX, WAS 740-8722-XX; 1.6.1 IS 740-9286-XX, WAS 740-7971-XX; 1.6.2 IS 740-9295-XX, WAS 740-7976-XX; 2 IS 721-1487-XX, WAS 721-1197-XX; 2.1 IS 721-1486-XX, WAS 721-1195-XX ADDED: ITEM NOS. 1.5.3 & 1.6.3 (740-9285-XX), 8 (721-1428-XX)	15707	ZDH
D	3/1/2018	ADDED: 740-9322-XX, 740-9323-XX; REMOVED: 740-9285-XX	15873	ZDH



DOCUMENT STATUS:

NOTICE OF PROPRIETARY INFORMATION
 THIS DOCUMENT SHALL NOT BE REPRODUCED NOR SHALL THE INFORMATION CONTAINED HEREIN BE USED BY OR DISCLOSED TO OTHER EXCEPT AS EXPRESSLY AUTHORIZED BY CORE HEALTH & FITNESS, LLC.

CLASS OF WORK	UNLESS OTHERWISE SPECIFIED DIMS ARE IN mm. TOLERANCES FOR MEASURE OF LENGTH ARE:								ANGLES = ±2°
	0.5 to 3	> 3 to 6	> 6 to 30	> 30 to 120	> 120 to 400	> 400 to 1000	> 1000 to 2000	> 2000	
FINE	±0.05	±0.05	±0.1	±0.15	±0.2	±0.3	±0.5	----	
MEDIUM	±0.1	±0.1	±0.2	±0.3	±0.5	±0.8	±1.2	±2	
COARSE	±0.2	±0.3	±0.5	±0.8	±1.2	±2	±3	±4	
VERY COARSE	----	±0.5	±1	±1.5	±2.5	±4	±6	±8	

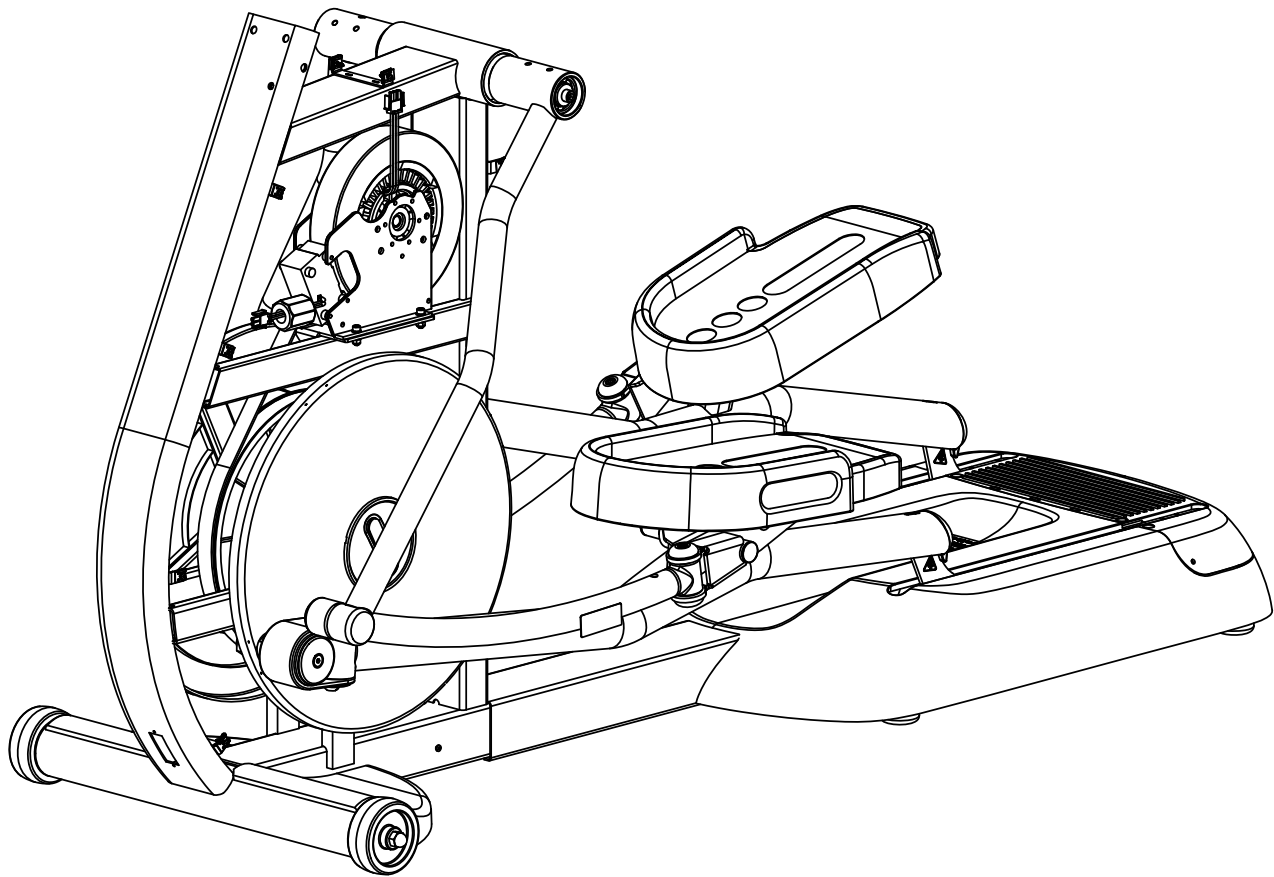
MATERIAL SEE BOM	THIRD ANGLE PROJECTION
FINISH N/A	DRAWN: KD, DATE: 6/15/16
VENDOR:	CHECKED: APPROVED:
P/N: N/A	U.O.M.: MM

CORE HEALTH & FITNESS, LLC 4400 NE 77th Ave., Suite 300 Vancouver, WA 98662	
CORE PART NO 9-6140-WUNBPO	REV D
TITLE BASE, UNIV, 9-6140, 8-CT, WHITE	
SCALE: 1:12	SHEET 1 OF 1
SHEET SIZE: B	

NOTES:
1. COLOR DESIGNATION PER -XX SPECIFIED IN SOP 620-8222

REVISION HISTORY

REV	DATE	DESCRIPTION	ECO	BY
A	09-12-13	PRODUCTION RELEASE	14377	VC
B	1/22/2014	CHANGE PLASTIC KNUCKLE CAP 740-7840 WITH METAL CAP ASSEMBLY 740-7840	14519	CRB
C	2/19/2014	REMOVED: 110-3177, 140-3248, 731-0570(4), 731-1222, 740-4074, 740-7778, 740-7787-XX, 740-7788-XX, 740-7841, 740-7842, 740-7846, 740-7849, 740-7850, 740-8491, 740-8492 ADDED: 120-3353, 120-3354, 740-7850-XX, 740-7955, 740-8606, 740-8613, 740-8722-XX, 740-8723-XX DESCRIPTION CHANGE 740-7808 WAS M12X1.5 IS M12X1.75	14434	SS
D	12/4/2015	REMOVE: 731-1045 (4), 731-1476 (4), 740-8613 (1); ADD: 110-3373 (4), 731-5519 (4), 740-4548 (4); CHG QTY: 731-0367 WAS 8 IS 4	15118	SCN
E	6/9/2017	ADDED: 740-9293-XX (1), 740-9294-XX (1), 740-9306 (4) & 740-9309-XX (2); REMOVED: 740-7729-XX (2), 740-8722-XX (1), 740-8723-XX (1) & 740-7808 (4)	15707	ZDH
F	6/21/2017	ADDED: 740-9281 (1); REMOVED: 740-8606	15706	ZDH



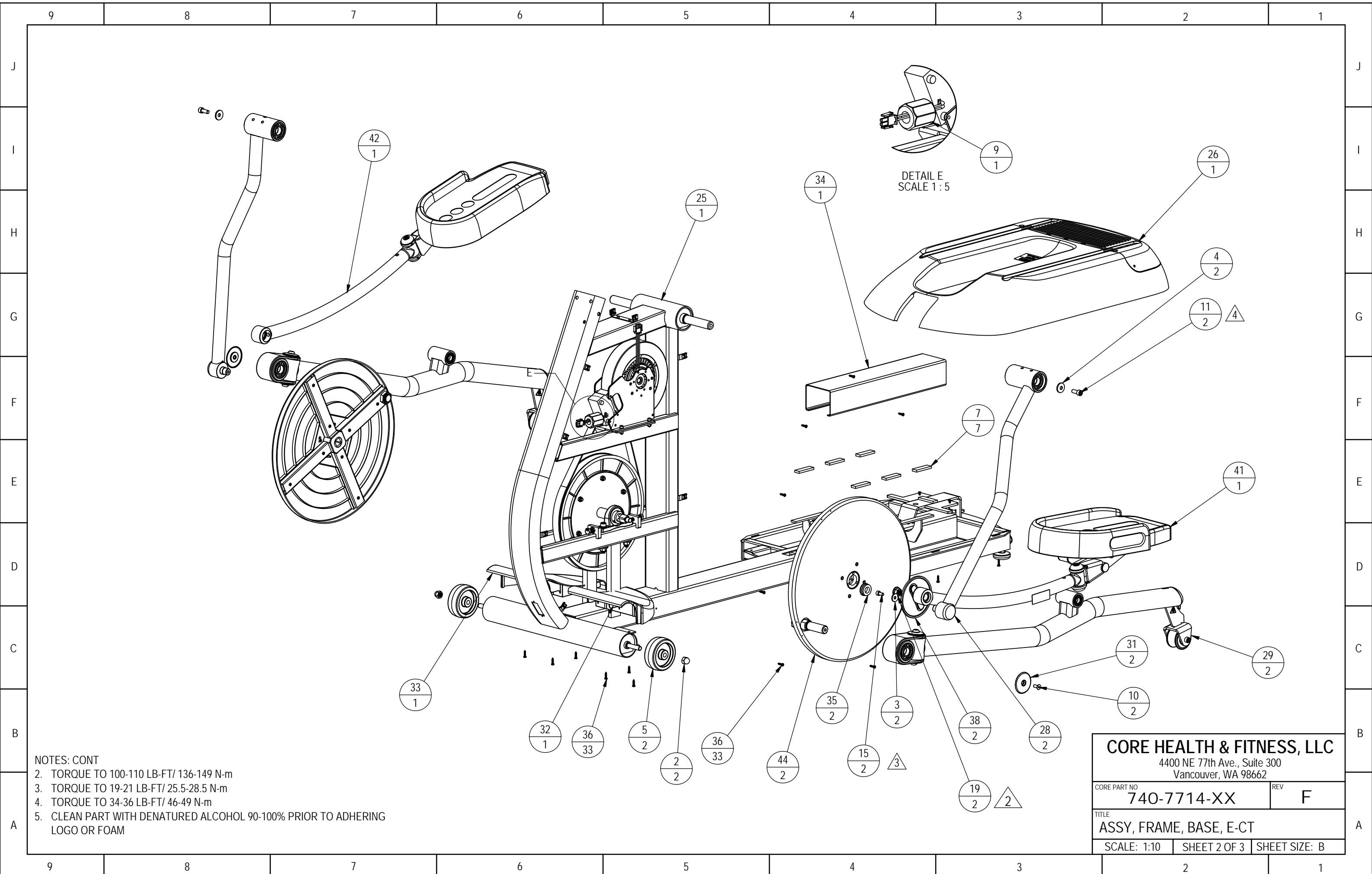
ITEM NO.	PART NUMBER	DESCRIPTION	QTY.
1	110-3373	Screw, M10x1.5, 85mm, SHC, HK, AS, NKL, Gr-10.9	4
2	110-3524	NUT, ACORN, 1/2"-13	2
3	120-3353	Washer, Belleville, Ø8.3 x Ø25 x 3mm	2
4	120-3354	Washer, Belleville, Ø10.3 x Ø30 x 3.5mm	2
5	130-1694	WHEEL, 4.0" OD X 0.5" BORE	2
6	140-3323	U-NUT, #8, PANEL .025-.125	14
7	140-3324	FOAM RUBBER, 1/4x3/4x2-1/2"	7
8	260-0939	W/ PULLEY, GEN/BRAKE, HYBRID, 6200	1
9	440-0280	FERRITE, SNAP-IT, 36.6x47.5x18.35	1
10	731-0120	SCREW, M8 X 1.25, 20MM, FHM.HK	2
11	731-0350	Screw, M10X1.5, 25mm, SHC, HK	2
12	731-0363	NUT, M10X1.5, NYLOC	4
13	731-0367	WASHER, PLAIN, M10	4
14	731-0373	WASHER, PLAIN, M6	8
15	731-0570	SCREW, M8x1.25, 16mm, SHC, HK, AS, GR12.9, NKL, FT	2
16	731-1363	NUT, M6X1.0, NYLOC	4
17	731-1755	Nut, Jam, Thin, M10x1.5, CS, ECB	4
18	731-5519	Screw, M10x1.5, 45mm, HHC, CS, NKL, FT, Gr-8.8	4
19	740-4069	Nut, Serrated-Flange, M14x1.5, CS, ECB	2
20	740-4512	BELT, POLY V, 610J10	1
21	740-4548	Washer, M10, Ø11xØ28.2x3mm, CS, ZP	4
22	740-4552	PILLOW BLOCK, Ø25mm ID	2

ITEM NO.	PART NUMBER	DESCRIPTION	QTY.
23	740-7023	ASSY, FOOT, W/ OVER MOLD	4
24	740-7173	NUT, 1/2-13, HEX, CS, BO	4
25	740-7687-XX	WELDMENT, FRAME, BASE, E-CT	1
26	740-7719-XX	ASSY, STEP, REAR, E-CT	1
27	740-7723	ASSY, FLYWHEEL, E-CT	1
28	740-7751-XX	ASSY, ARM, PIVOT, E-CT	2
29	740-7801-XX	ASSY, BEAM, LEG, E-CT	2
30	740-7807	Washer, M12, Ø13.5xØ24x2.5mm, SS	4
31	740-7840	ASSY, COVER, BEARING, 9ID X 66OD, E-CT	2
32	740-7843-XX	COVER, FOOT PROTECT, LEFT	1
33	740-7844-XX	COVER, FOOT PROTECT, RIGHT	1
34	740-7845-XX	SHROUD, COVER, CENTER, E-CT	1
35	740-7850-XX	CAP, PLUG, 38mm OD	2
36	740-7897	SCREW, M4.2, 19mm, PHT, PH, SS	33
37	740-7898	Screw, M6x1.0, 20mm, SHC, HK, CS, ECB, Cl. 10.9	4
38	740-7906	ASSY, CAP, HUB, E-CT	2
39	740-7955	ASSY, WELDMENT, ROD, GUIDE	2
40	740-9281	ASSY, TENSIONER, 8-CT	1
41	740-9293-XX	Assy, Leg/Pedal, Left, 8-CT, Gen 3	1
42	740-9294-XX	Assy, Leg/Pedal, Right, 8-CT, Gen 3	1
43	740-9306	SCREW, M12x1.75, 35mm, HHC, HE, SS	4
44	740-9309-XX	ASSY, ARM, CRANK, 8-CT	2

DOCUMENT STATUS:

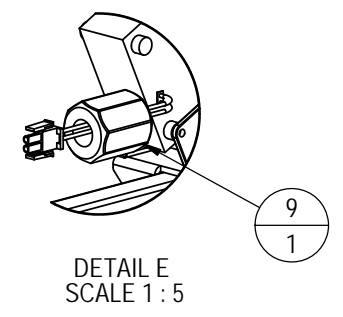
NOTICE OF PROPRIETARY INFORMATION
THIS DOCUMENT SHALL NOT BE REPRODUCED NOR SHALL THE INFORMATION CONTAINED HEREIN BE USED BY OR DISCLOSED TO OTHER EXCEPT AS EXPRESSLY AUTHORIZED BY CORE HEALTH & FITNESS, LLC.

MATERIAL SEE BOM		THIRD ANGLE PROJECTION 		CORE HEALTH & FITNESS, LLC 4400 NE 77th Ave., Suite 300 Vancouver, WA 98662	
FINISH N/A		DRAWN SCN	DATE 7/19/2013	CORE PART NO 740-7714-XX	REV F
VENDOR:		P/N:		TITLE ASSY, FRAME, BASE, E-CT	
		U.O.M. MM	SCALE: 1:10	SHEET 1 OF 3	SHEET SIZE: B



NOTES: CONT

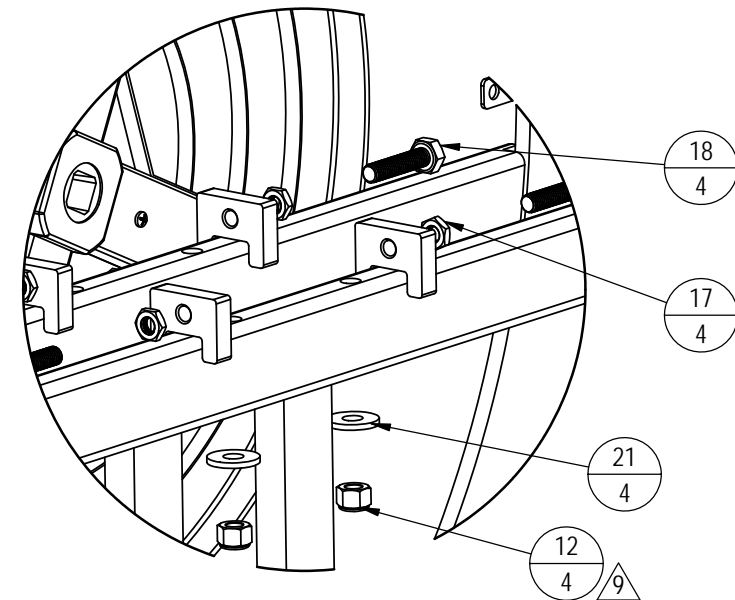
- 2. TORQUE TO 100-110 LB-FT/ 136-149 N-m
- 3. TORQUE TO 19-21 LB-FT/ 25.5-28.5 N-m
- 4. TORQUE TO 34-36 LB-FT/ 46-49 N-m
- 5. CLEAN PART WITH DENATURED ALCOHOL 90-100% PRIOR TO ADHERING LOGO OR FOAM



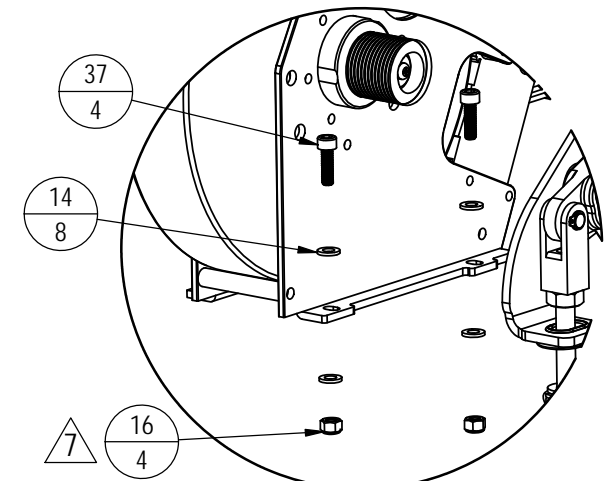
CORE HEALTH & FITNESS, LLC		
4400 NE 77th Ave., Suite 300 Vancouver, WA 98662		
CORE PART NO	740-7714-XX	REV F
TITLE ASSY, FRAME, BASE, E-CT		
SCALE: 1:10	SHEET 2 OF 3	SHEET SIZE: B

NOTES: cont.

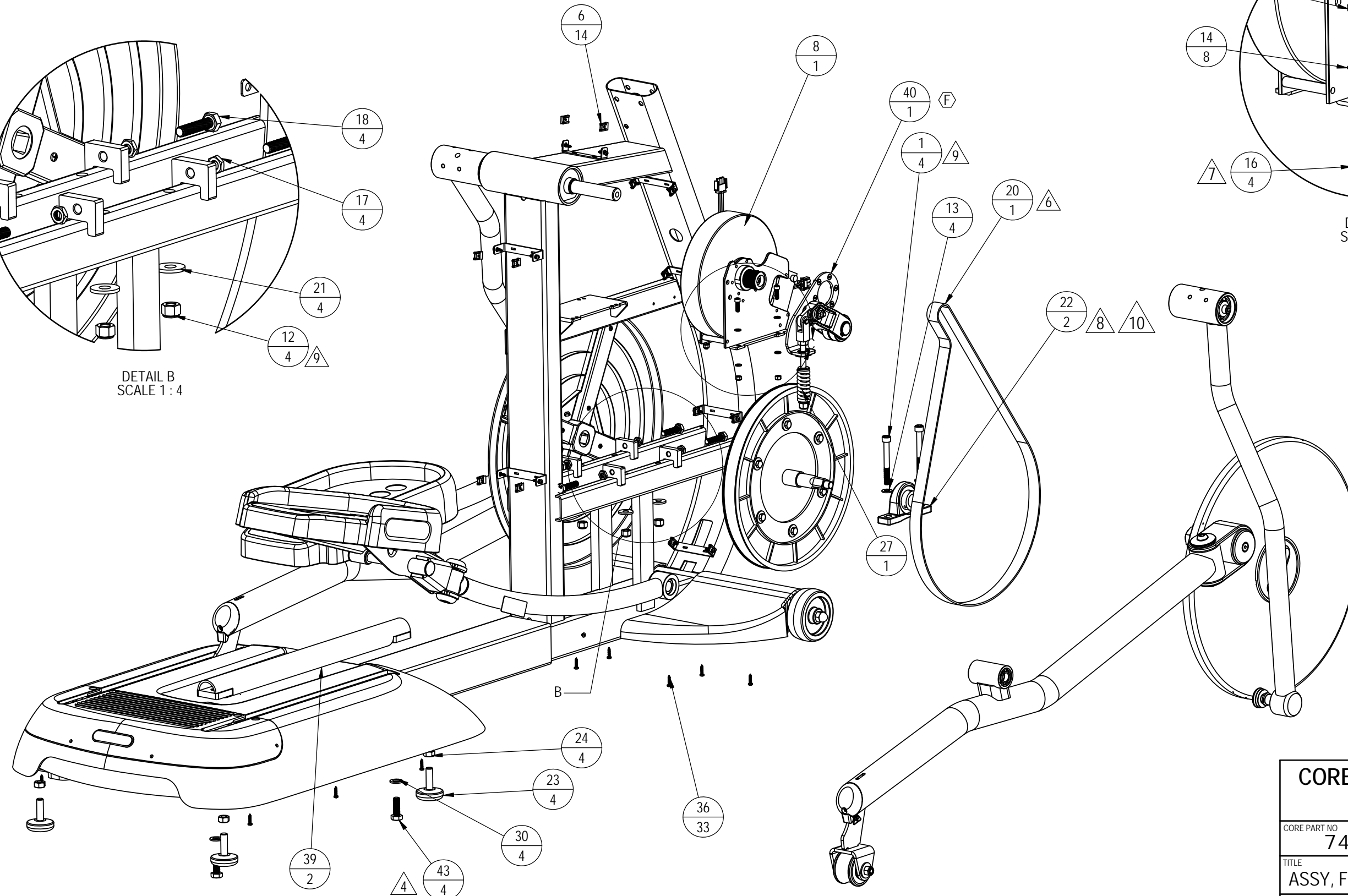
- 6. BELT TENSION IS 60-70 LBS/ 267-311 N. BELT TENSION SHOULD BE TAKEN FROM THE LONGEST SPAN. BELT TENSION SHOULD NOT BE TAKEN FROM THE IDLER SIDE.
- 7. TORQUE TO 8-10 LB-FT/ 10-13 N-m
- 8. TORQUE TO 4-6 LB-FT/ 5.5-8 N-m
- 9. TORQUE TO 41-43 LB-FT/ 55.5-58 N-m
- 10. SET SCREW: ADD LIGHT AMOUNT OF LOCTITE 242 AND TORQUE TO 8.1 LB-FT/11 N-m



DETAIL B
SCALE 1 : 4



DETAIL C
SCALE 1 : 4



CORE HEALTH & FITNESS, LLC
4400 NE 77th Ave., Suite 300
Vancouver, WA 98662

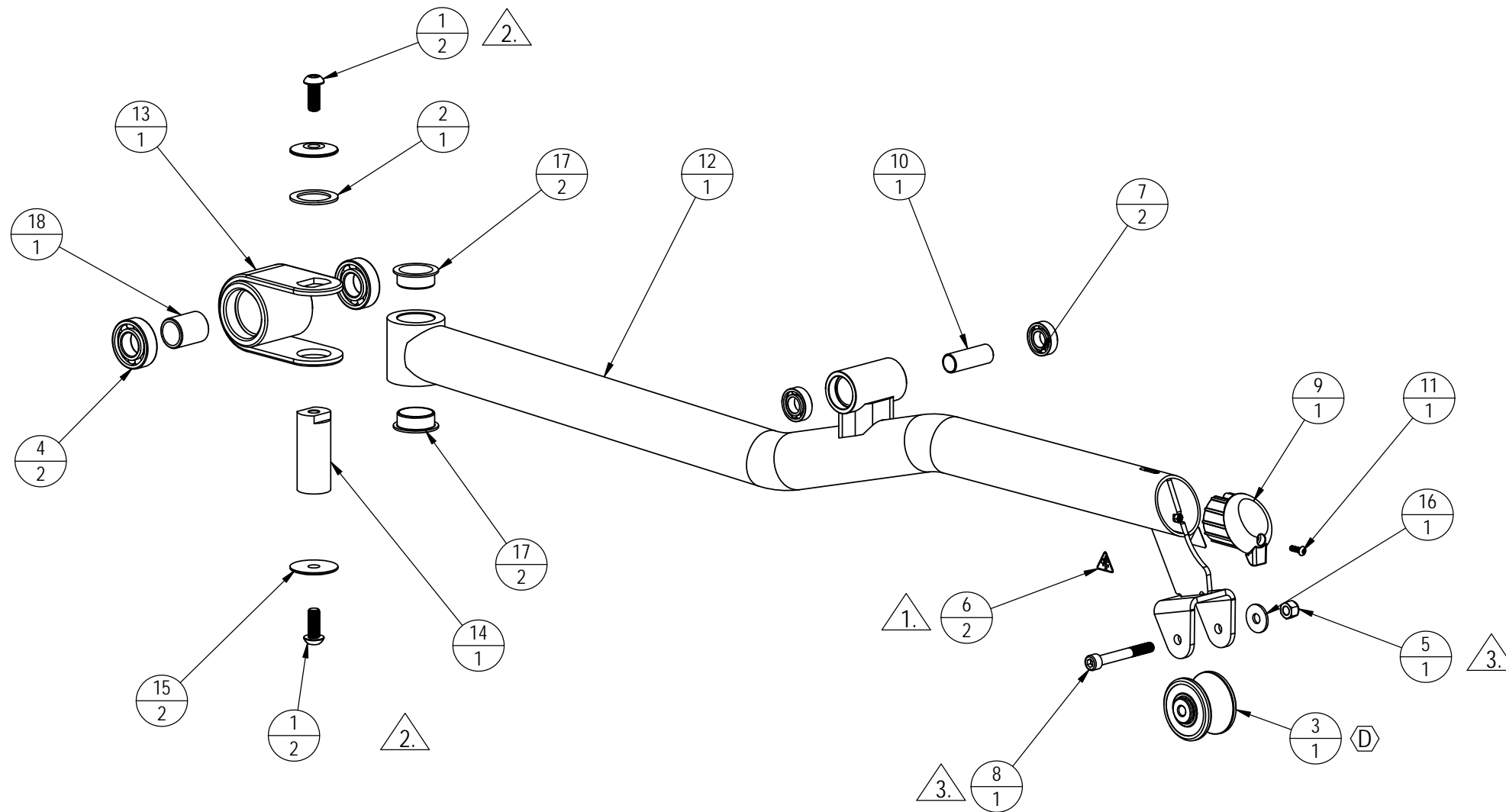
CORE PART NO	740-7714-XX	REV	F
TITLE ASSY, FRAME, BASE, E-CT			
SCALE: 1:8	SHEET 3 OF 3	SHEET SIZE: B	

NOTES:

1. CLEAN SURFACE WITH DENATURED ALCOHOL PRIOR TO ADHERING LABEL
2. TORQUE TO 41-43 LB-FT/ 55.5-58 N-m
3. TORQUE TO 19-21 LB-FT/ 25.5-28.5 N-m
4. COLOR PER -XX AS SPECIFIED IN PARENT SKU, -XX COLOR PER SOP 622-200-112 D
5. PACKAGING FOR SPARE PARTS:
 - a. PO NUMBER AND DATE ASSEMBLY NUMBER
 - b. BAR CODE OF ASSEMBLY NUMBER (CODE 128)
 - c. ASSEMBLY DESCRIPTION
 - d. ASSEMBLY REVISION
 - e. WEIGHT (LBS/KGS)

REVISION HISTORY

REV	DATE	DESCRIPTION	ECO	BY
A	8/23/2013	PRODUCTION RELEASE; ADD 731-0512 (2) AND NOTE 1	14209	SS
B	9/12/2013	DOCUMENT RELEASE	14377	VC
C	8/29/2014	REMOVE 731-0399 (2), ADD 110-3621 (2), 120-3364 (1), AND NOTE 5.	14771	JO
D	11/30/2017	ADDED: 721-1496 (1); REMOVED: 740-8505 CHANGED NOTE #2	15848	ZDH



ITEM NO.	PART NUMBER	DESCRIPTION	Default/ QTY.
1	110-3621	SCREW, M12x1.25, 30mm, BHC, HK, SS	2
2	120-3364	WASHER, PLASTIC, NYLON, 35ID, 50OD	1
3	721-1496	ASSY, WHEEL, CT ROLLER	1
4	731-0137	BEARING, 52 OD, 25 ID, X 15MM	2
5	731-0363	NUT, M10X1.5, NYLOC	1
6	731-0512	STICKER, WARNING, PINCH	2
7	731-0824	RADIAL BEARING, 17 ID X 35 ODX 10MM	2
8	731-2894	Screw, M10x1.5, 80mm, SHC, HK, CS, NKL	1
9	731-2910	ENDCAP, TUBE, LOWER RAIL, TBT	1
10	740-4095	SPACER, 17.5 ID X 20 ODX 55MM	1
11	740-7183	Screw, M5x0.8, 16mm, BHC, HK, SS	1
12	740-7744-XX	WELDMENT, BEAM, LEG, E-CT	1
13	740-7794-XX	WELDMENT, PIVOT, BEAM, LEG, E-CT	1
14	740-7802	SLEEVE, BEARING, BEAM, LEG, E-CT	1
15	740-7826-XX	CAP, END, DOME, BEAM, LEG, E-CT	2
16	740-7846	Washer, M10, Ø10.5xØ30x2.5mm, CS, NKL	1
17	740-7895	JFM-3539-16 BEARING, FLANGE, IGUS	2
18	740-7950	SPACER, 25.2ID X 32OD X 40MM	1

DOCUMENT STATUS:

NOTICE OF PROPRIETARY INFORMATION

THIS DOCUMENT SHALL NOT BE REPRODUCED NOR SHALL THE INFORMATION CONTAINED HEREIN BE USED BY OR DISCLOSED TO OTHER EXCEPT AS EXPRESSLY AUTHORIZED BY CORE HEALTH & FITNESS, LLC.

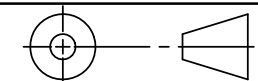
MATERIAL
SEE BOM

FINISH
SEE NOTES

VENDOR: **N/A**

P/N: **N/A**

THIRD ANGLE PROJECTION



	INITIAL	DATE
DRAWN	SS	8/23/13
CHECKED		
APPROVED		

CORE HEALTH & FITNESS, LLC
4400 NE 77th Ave., Suite 300
Vancouver, WA 98662

CORE PART NO. 740-7801-XX REV **D**

TITLE
ASSY, BEAM, LEG, E-CT

SCALE: 1:6 SHEET 1 OF 1 SHEET SIZE: B